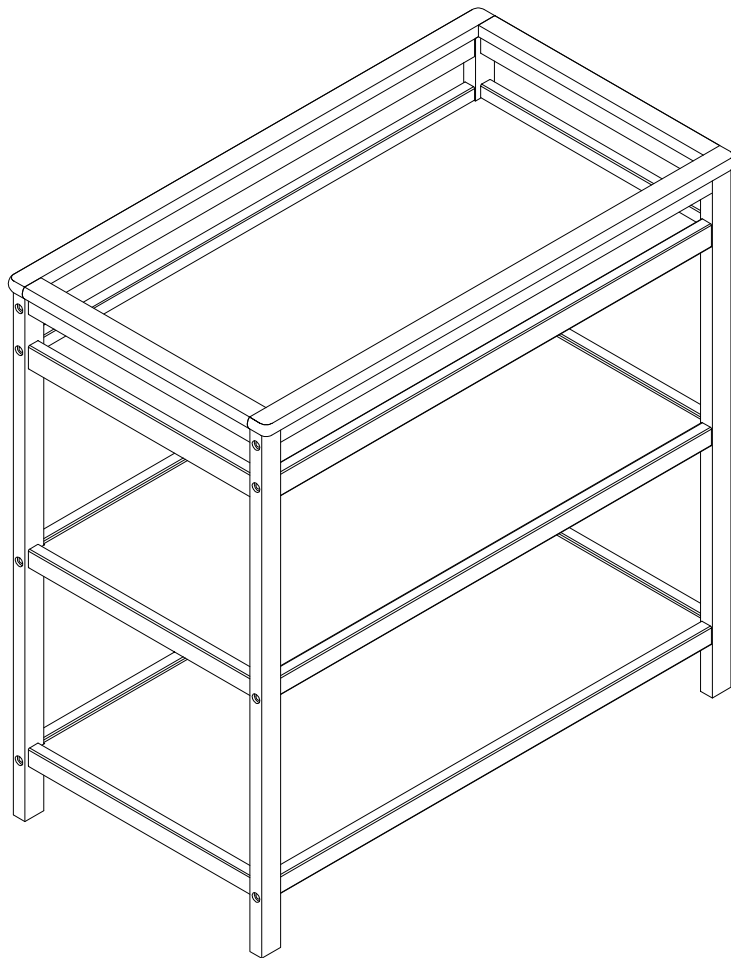


**ASSEMBLY INSTRUCTIONS**  
**for Changing Table**  
**BROOKLYN**  
**Model # 11966**



*suitebébé*

Carefully remove and lay out all parts. Familiarize yourself with all exhibits and diagrams to facilitate the assembly of your Changing table.

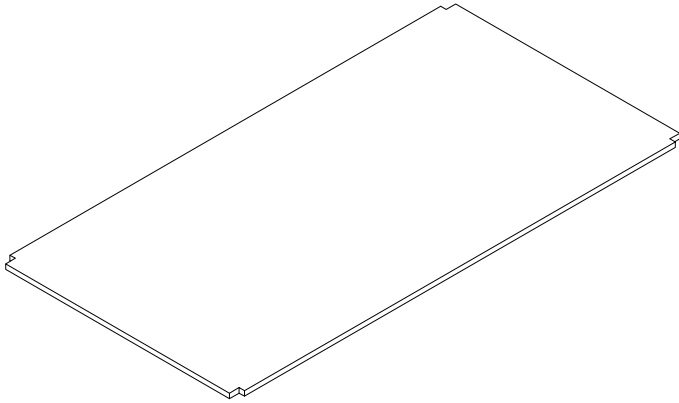
**TOOLS REQUIRED :**

**Allenkey (supplied)**

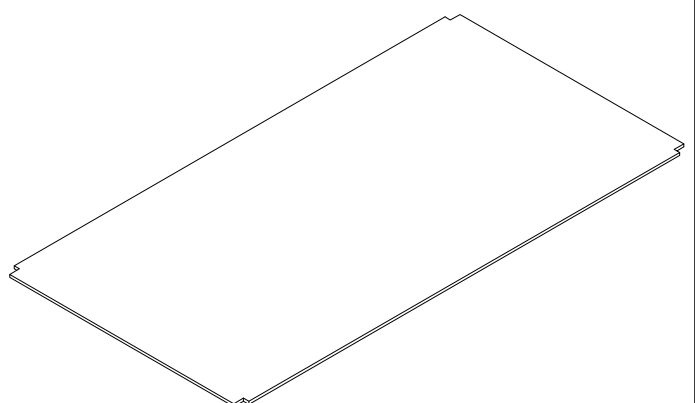
**Philip Head Screw driver (unsupplied)**

**PART ENCLOSED IN CARTON**

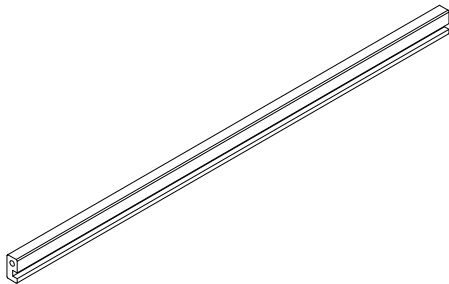
A .Thick Shelf (Top) (1 pc )



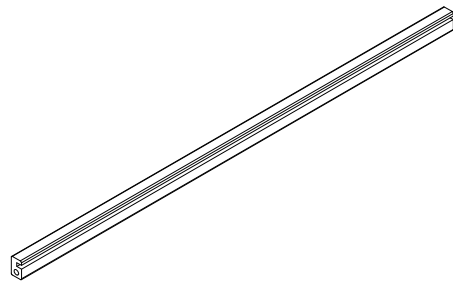
B.Thin Selves (Middle/Bottom) (2 pcs)



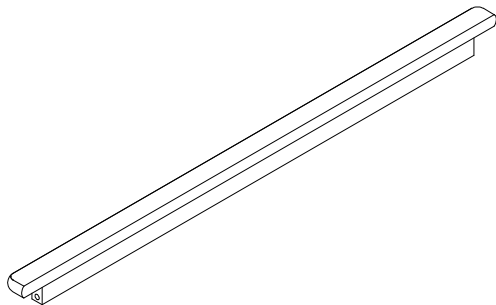
C .Wide grooved rail (Top) (2 pcs )



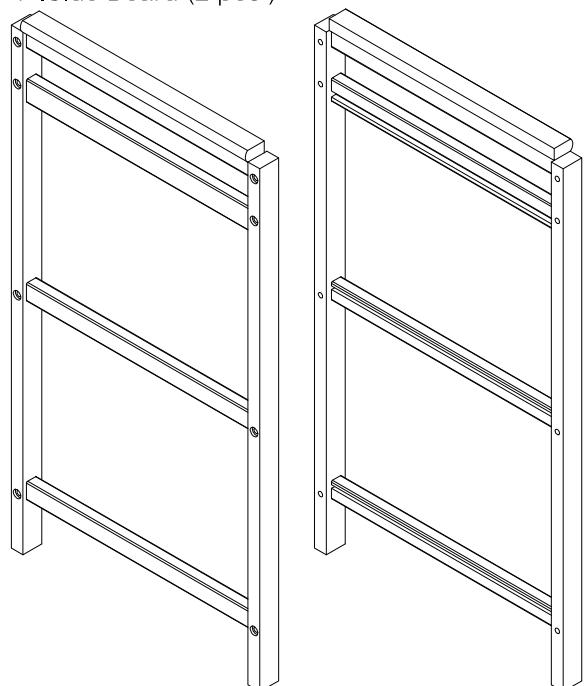
D .Grooved rail (Middle / Bottom) (4 pcs )



E .Front / Back rail (Top) (2 pcs )



F .Side Board (2 pcs )

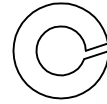


## HARDWARE

G. Allen Bolt 1 3/4" (45 mm) (16 pcs.)



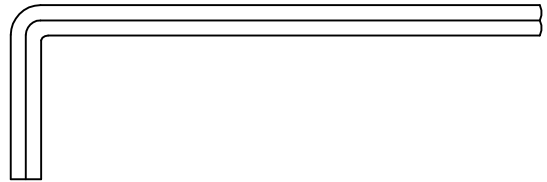
W. Spring Washer (16 pcs.)



L. Iron Dowel (4 pcs.)



M. Allen Key (1 pc)



Make sure the bolts are tightly locked against the washers during assembly.  
(Please add an extra  $\frac{1}{2}$  revolution to all the bolts when using spring washer after tightening)