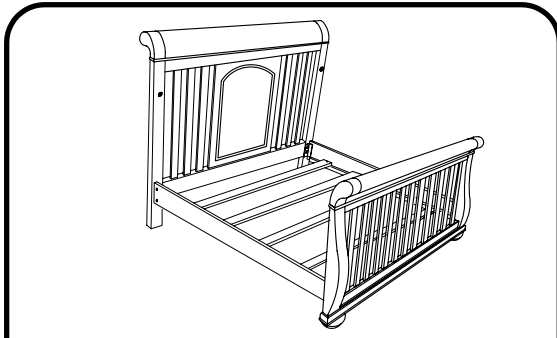
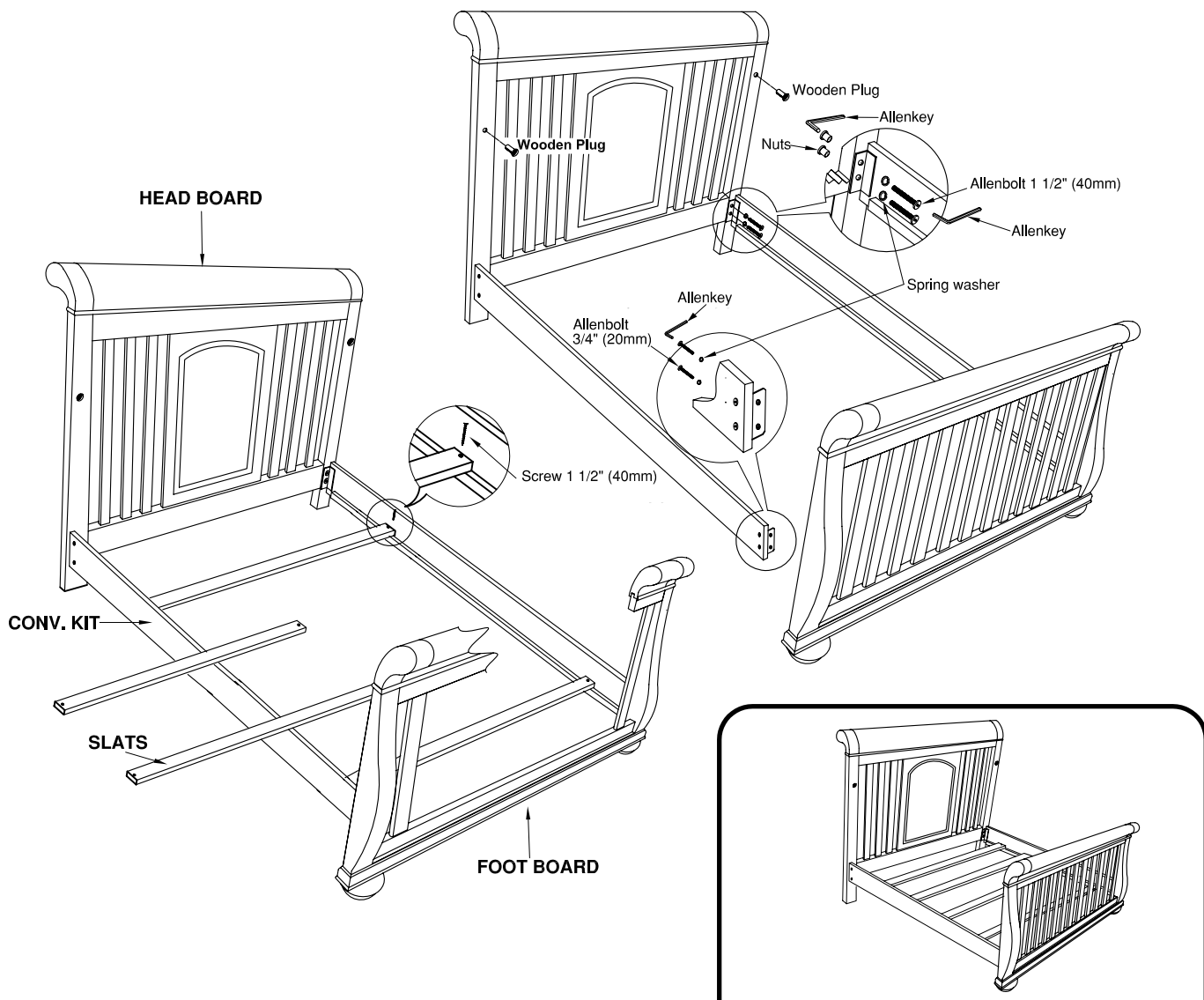
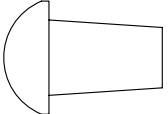
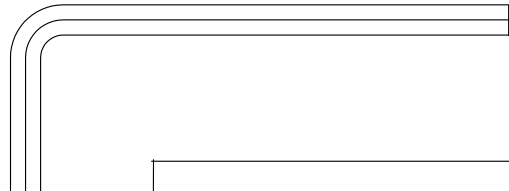
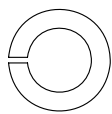


# ASSEMBLY INSTRUCTIONS

## CONVERSION KIT

BARCELONA  
MODEL # 6770



(01) Wooden Plug (2 pcs) 	(05) Screw 1 1/2" (40mm) (8 pcs)
(02) Nuts 3/4" (20mm) (4 pcs)	(06) Allenkey (2 pcs) (Length may vary) 
(03) Allenbolt 3/4" (20mm) 4 pcs	
(04) Allenbolt 1 1/2" (40mm) (4pcs)	(07) Spring Washer (8 pcs) 

Make sure the bolts are tightly locked against the washers during assembly. (Please add an extra 1/2 revolution to all the bolts when using spring washer after tightening.)



**“RECOMMENDATION: We recommend the use of a Bunkie Board or box springs under a mattress for this conversion kit.”**