

ASSEMBLY INSTRUCTIONS

for 4 in 1 life time[®] Crib

ASTORIA

Model # 22499



suitebébé



GUARDRAIL and CONVERSION KIT sold separately.
Please contact retailer.

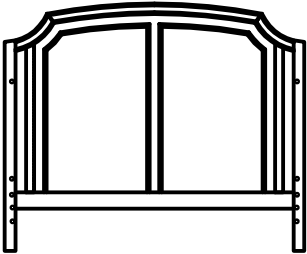
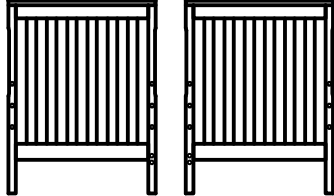

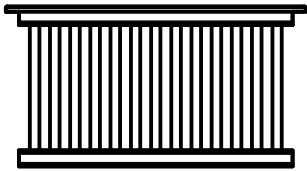

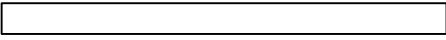
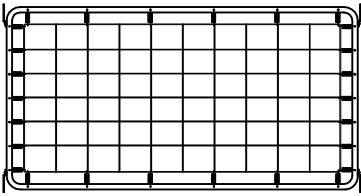
THIS PRODUCT CONFORMS TO THE APPLICABLE SECTIONS OF PUBLIC LAW 110-314 AND COMPLIES WITH THE REQUIREMENTS STATED IN 16 CFR 1219 AND 16 CFR 1217 (WHEN ASTORIA GUARDRAIL IS USED).

C1-A-ASCSB00-00


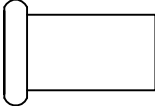


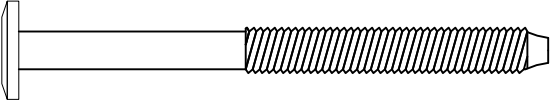

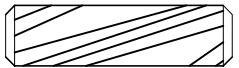

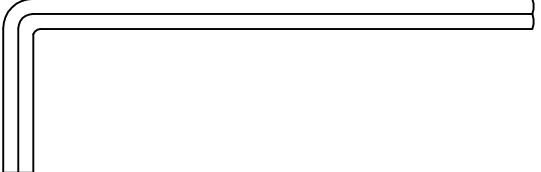

Carefully remove and lay out all parts. Familiarize yourself with all exhibits and diagrams to facilitate the assembly of your crib

TOOLS REQUIRED :
Allenkey (supplied)

PART ENCLOSED IN CARTON

<p>A. Head Board (1 pc)</p> 			<p>C. Side Board (2 pcs)</p> 	
<p>B.L. FB Leg (1 pc)</p> 	<p>B. Foot Board (1 pc)</p> 	<p>B.R. FB Leg (1 pc)</p> 	<p>D. Stabilizer Bar (1 pc)</p> 	
			<p>E. Mattress Spring (1 pc)</p> 	

HARDWARE

<p>(K) Allenbolt 2 1/2 " (65 mm) (4 pcs)</p> 	<p>(L) Nut 3/4" [20 mm] (8 pcs)</p> 	<p>(M) Barrel Nut 5/8" [15 mm] (4 pcs)</p> 
<p>(F) Allenbolt 2 3/8 " (60 mm) (4 pcs)</p> 		
<p>(G) Allenbolt 2 3/4 " [70 mm] (4 pcs)</p> 	<p>(W) Spring Washer (20 pcs)</p> 	<p>(P) Wooden Dowel 1 1/4" [30 mm] (2 pcs)</p> 
<p>(H) Allenbolt 2" [50 mm] (4 pcs)</p> 	<p>(N) Allenkey (2 pcs) (Length may vary)</p> 	
<p>(J) Allenbolt 3/4 " [20 mm] (4 pcs)</p> 		

Make sure the bolts are tightly locked against the washers during assembly.
(Please add an extra 1/2 revolution to all the bolts when using spring washer after tightening)