

# ASSEMBLY INSTRUCTIONS

## for 4 in 1 life time<sup>®</sup> Crib

ANAHEIM  
Model # 22399



*suitebebe*



GUARDRAIL and CONVERSION KIT sold separately.  
Please contact retailer.


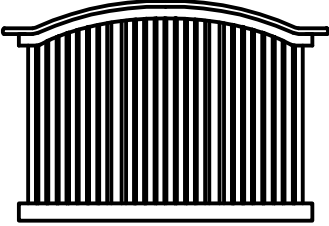

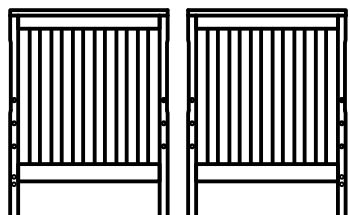

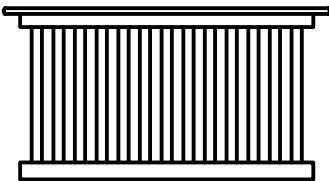

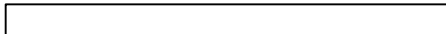
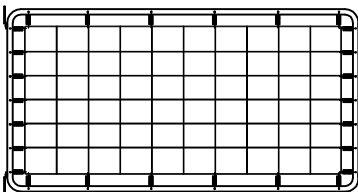
THIS PRODUCT CONFORMS TO THE APPLICABLE SECTIONS OF PUBLIC LAW 110-314  
AND COMPLIES WITH THE REQUIREMENTS STATED IN 16 CFR 1219 AND 16 CFR 1217  
(WHEN ANAHEIM GUARDRAIL IS USED).

C1-A-ANCSB00-00

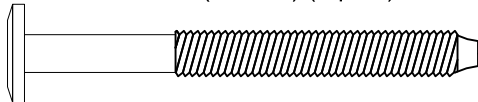

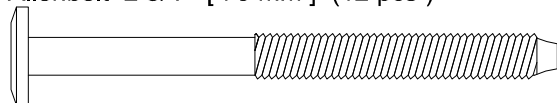
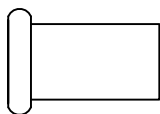
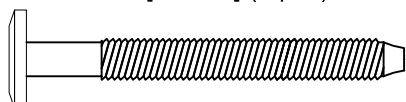
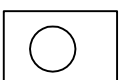


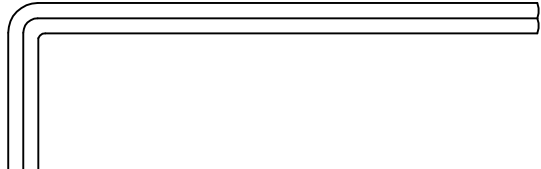
Carefully remove and lay out all parts. Familiarize yourself with all exhibits and diagrams to facilitate the assembly of your crib.

TOOLS REQUIRED :  
Allenkey (supplied)

**PART ENCLOSED IN CARTON**

<p>A.L. HB Leg (1 pc)</p> 	<p>A. Head Board (1 pc)</p> 	<p>A.R. HB Leg (1 pc)</p> 	<p>C. Side Board (2 pcs)</p> 
<p>B.L. FB Leg (1 pc)</p> 	<p>B. Foot Board (1 pc)</p> 	<p>B.R. FB Leg (1 pc)</p> 	<p>D. Stabilizer Bar (1 pc)</p>  <p>E. Mattress Spring (1 pc)</p> 

**HARDWARE**

<p>( F ) Allenbolt 2 3/8 " (60 mm) (4 pcs )</p> 		<p>( W ) Spring Washer (24 pcs)</p> 
<p>( G ) Allenbolt 2 3/4 " [ 70 mm ] (12 pcs )</p> 		<p>( L ) Nut 3/4" [20 mm] (8 pcs)</p> 
<p>( H ) Allenbolt 2" [50 mm] (4 pcs)</p> 		<p>( M ) Barrel Nut 5/8" [15 mm] (4 pcs)</p> 
<p>( J ) Allenbolt 3/4 " [20 mm] (4 pcs)</p> 	<p>( P ) Wooden Dowel 1 1/4" [30 mm] (4 pcs)</p> 	<p>( N ) Allenkey (2 pcs) (Length may vary)</p> 

Make sure the bolts are tightly locked against the washers during assembly.  
( Please add an extra 1/2 revolution to all the bolts when using spring washer after tightening)